

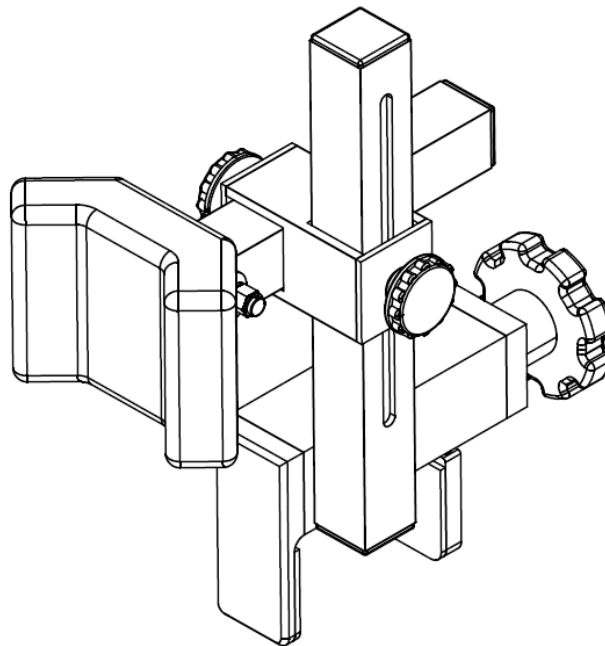


**USER MANUAL**

# ERGONECK

PORTABLE-ADJUSTABLE HEADREST

Product of Leo Park LLC  
www.Ergoneck.com | Leoparkllc@gmail.com



## USER MANUAL

**READ ALL INSTRUCTIONS PRIOR TO USE. ANYONE USING THIS DEVICE SHOULD READ ALL INSTRUCTIONS PRIOR TO USE. KEEP INSTRUCTIONS FOR FUTURE REFERENCE.**

This product is subject to patent pending and trademark protection.

**MADE IN THE USA**

# WARNING

- READ AND FOLLOW ALL INSTRUCTIONS BEFORE USING THIS DEVICE. FAILURE TO FOLLOW THESE WARNINGS COULD RESULT IN A HAZARDOUS SITUATION WHICH, IF NOT AVOIDED COULD CAUSE RAPID FATIGUE, SERIOUS INJURY, PERMANENT DISABILITY OR DEATH TO THE USER.
- THIS DEVICE IS NOT INTENDED TO REPLACE THE ADVICE OF YOUR HEALTHCARE PROVIDER OR TO TREAT/CURE ANY DISEASE, INJURY, OR CONDITION.
- BY USING THIS DEVICE IN ANY CAPACITY, YOU ARE AGREEING TO HOLD FREE FROM LIABILITY THE INVENTORS, MANUFACTURERS, OR DISTRIBUTORS OF THIS PRODUCT.
- USE THIS DEVICE AT YOUR OWN RISK.
- THIS DEVICE IS NOT TO BE USED ON OR BY A SLEEPING OR UNCONSCIOUS PERSON.
- DO NOT POSITION YOUR HEAD OR BODY UNDER THE HEADREST WHILE INSTALLING; UNIT COULD FALL DURING INSTALLATION.
- IF HEADREST IS MOUNTED TO A SWIVELING CHAIR TAKE CARE NOT TO SWING THE HEADREST INTO OBJECTS OR PEOPLE AS IT COULD CAUSE DAMAGE OR INJURY.
- DO NOT USE THIS HEADREST ON CHAIRS THAT IT WILL NOT SECURELY CLAMP AS HEADREST COULD LOOSEN AND/OR FALL THUS CAUSING PERSONAL INJURY AND/OR PROPERTY DAMAGE.
- DO NOT ALLOW CHILDREN TO PLAY AROUND OR WITH THIS DEVICE. CLOSE SUPERVISION IS REQUIRED WHEN USING THIS DEVICE AROUND CHILDREN.
- DO NOT USE THIS DEVICE IN OR ON WHEELCHAIRS, CHILD SAFETY SEATS, AUTOMOBILES, AIRCRAFT, OR OTHER MOTORED/POWERED DEVICES.
- CHECK THE CONDITION OF THE HEADREST BEFORE EACH USE. DO NOT USE HEADREST IF THE DEVICE IS BROKEN, MISSING PARTS, OR DAMAGED IN ANY WAY.
- ALLERGY WARNING – DO NOT USE THIS PRODUCT IF YOU ARE SENSITIVE TO OR ALLERGIC TO ANY OF THE MATERIALS USED IN ITS MANUFACTURE (CONTACT LEO PARK LLC FOR DETAILS).
- DO NOT ALLOW LOOSE FITTING CLOTHING TO GET CAUGHT ON THE HEADREST.

## 1 Year Limited Warranty

LEO PARK, LLC is dedicated to providing the highest quality products. Therefore, we guarantee that this product will be free from defects resulting from material, design, or workmanship for 1 year from original date of purchase while owned by the "original purchaser." "Original purchaser" is defined as that party or entity that purchases the LEOPARK LLC product from an authorized LEOPARK LLC retailer as shown by the original sales receipt. The warranty does not apply to "as is" or previously owned devices.

This warranty is valid only for defects arising from faulty workmanship or defects to original materials and is under no circumstances applicable to defects arising from normal wear and tear, stretching, or fading, misuse of the product, after market product alterations, or failure to follow use and care instructions.

Exceptions or exclusions to this warranty are as follows:

1. Upholstery material and foam cushion material is warranted against defects in material and workmanship for a period of 3 months, beginning on the date of the purchase as shown on the original sales receipt.
2. Any warranty claim that is submitted after the limited warranty period, or without proper proof of purchase, will not include the cost of parts, labor, shipping, or delivery.
3. This warranty shall not apply to LEOPARK LLC products which have been subjected to misuse, neglect, alteration, modification, or attachments, either caused by original purchaser, shipping, storage, accident, fire, flood, or acts of God.

If a defect is discovered during this time frame, we will send a return label for the product. If LEO PARK, LLC determines that the product is defective, we will repair or replace the product within a reasonable amount of time as determined by LEOPARK LLC. We reserve the right to require damaged parts to be returned upon request. Natural markings such as scars, brands, wrinkles, color variations, etc. are considered normal characteristics and not construed as defects. We cannot warranty against scratching or scuffing as materials are subject to blemishes with normal usage.

LEOPARK LLC requires that the original sales receipt be submitted with all requests to confirm that you are the original purchaser according to our written warranty.

Interaction with this device indicates that the person(s) interacting with this device will hold harmless LEO PARK, LLC and/or its stakeholders for any real or perceived discomfort, injury, or malcontent due to the use, misuse, or any interaction whatsoever with this device.

## INSTRUCTION FOR USE:

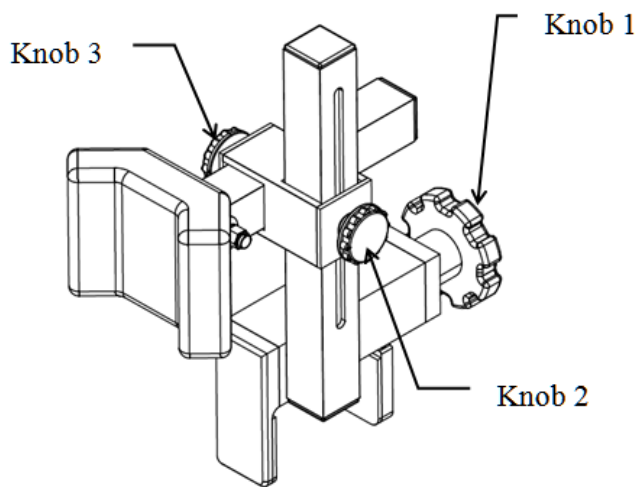


FIGURE 1 – HEADREST

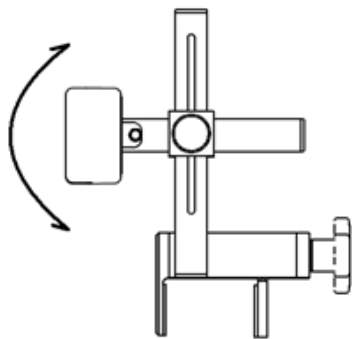


FIGURE 3 – TILT PAD

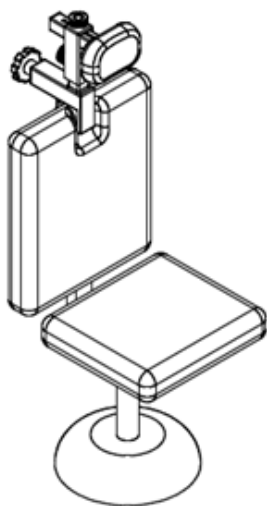


FIGURE 2 – HEADREST MOUNTED TO A CHAIR

**All Knobs (1-3) should be hand-tightened only. Do not use tools to tighten or loosen knobs.**

1. Place headrest apparatus over the back of an office chair in the center/middle of the chair back, as shown in FIGURE 2.
2. Tighten Knob 1 (SEE FIGURE 1) clockwise to secure the apparatus to the chair back, as shown in FIGURE 2.
3. The pad can be tilted for additional adjustment to desired position (see FIGURE 3)
4. To remove headrest apparatus from chair, turn Knob 1 counterclockwise until jaws release.
5. Loosen Knobs 2 and 3 (SEE FIGURE 1) to adjust the headrest pad to a comfortable position. Once the desired position is reached, tighten Knobs 2 and 3 to hold the position. Knob 2 controls adjustment of the pad up and down. Knob 3 controls adjustment of the forward and backward.

### **WARNING**

KNOBS 1, 2, and 3 SHOULD BE CHECKED AND TIGHTENED EVERY DAY BEFORE EACH USE TO PREVENT SLIPPING. DO NOT UNTHREAD KNOBS 2 AND 3 MORE THAN ENOUGH TO MOVE THE PAD DO NOT COMPLETELY LOOSEN KNOB AS HEADREST DISASSEMBLY WILL RESULT.

### **CARE AND MAINTENANCE**

- For best results, use only a dry, soft, clean, non-lint producing cloth to clean/remove dust from the apparatus. Cleaners, soaps, and detergents are not recommended.
- Do not use a wet cloth, as this may disrupt the effectiveness of the device.
- Do not use oils, greasing agents, or sprays on the device as these may interfere with the mechanism and cause the device to slip.
- The removable cloth cover can be hand washed with a gentle detergent designed for delicates (Woolite or similar).
- Do not machine wash.
- Always use the removable cloth cover when using the device.

**TROUBLESHOOTING:** Please do not loosen the small adjustment knobs more than 1 turn when adjusting.  
Note: If a knob becomes disengaged with the nut, then, the plastic end cap can be removed from the headrest and the nut can be threaded back into the knob.

# WARNING

- CHANGES OR MODIFICATIONS TO THIS DEVICE NOT EXPRESSLY APPROVED IN WRITING BY LEO PARK LLC WILL VOID ANY WARRANTY ASSOCIATED WITH THE DEVICE AND COULD RESULT IN SEVERE INJURY.
- THIS PRODUCT CONTAINS MOVABLE PIECES THAT CAN PINCH AND POTENTIALLY INJURE AN INDIVIDUAL INSTALLING OR USING THE PRODUCT. KEEP CLEAR AND USE WITH CARE.
- PLEASE CONSULT YOUR DOCTOR BEFORE USE TO ENSURE THAT THIS DEVICE IS SUITABLE, PARTICULARLY IF YOU HAVE HEAD, NECK, OR BACK CONDITIONS OR INJURIES.
- THIS DEVICE IS DESIGNED FOR USE AS A HEADREST ON A PADDED OFFICE CHAIR ONLY. USING IT FOR ANY OTHER PURPOSE COULD RESULT IN SEVERE INJURY AND IS STRICTLY PROHIBITED AND WILL VOID ANY WARRANTY OR CLAIMS ASSOCIATED WITH THE DEVICE.
- ALWAYS USE THE DEVICE WITH THE LEO PARK LLC PROVIDED REMOVABLE CLOTH COVER. HEADREST IS INTENDED FOR USE BY ONE USER PER DEVICE ONLY TO PREVENT THE SPREAD OF HAIR BORNE INFESTATION AND/OR DISEASES.
- LEO PARK LLC WILL NOT BE HELD LIABLE FOR ANY DAMAGES TO PERSONAL OR PUBLIC PROPERTY RESULTING FROM THE USE OR MISUSE OF THIS PRODUCT.
- THIS PRODUCT CONTAINS SMALL PARTS THAT COULD BE A CHOKING HAZARD IF REMOVED FROM THE HEADREST.
- DO NOT STORE THE HEADREST IN DIRECT SUNLIGHT. UV LIGHT CAN CAUSE THE MATERIALS TO WEAKEN OR FADE.
- IN HOT OR SUNNY WEATHER, ALWAYS CHECK THE HEADREST BEFORE USE FOR HOT SURFACES TO AVOID GETTING BURNED.
- WHEN TRANSPORTING THE HEADREST BY VEHICLE ALWAYS MAKE SURE IT IS SECURELY STOWED. ANYTHING LOOSE COULD BE DEADLY IN A CRASH.
- IF SIGNIFICANT DISCOMFORT IS FELT DURING USE OF THIS HEADREST DISCONTINUE USE OF THIS DEVICE.
- INTERACTION WITH THIS DEVICE INDICATES THAT THE PERSON INTERACTING WITH THIS DEVICE WILL HOLD HARMLESS LEO PARK LLC AND/OR ITS STAKEHOLDERS FOR ANY REAL OR PERCEIVED DISCOMFORT, INJURY, OR MALCONTENT DUE TO THE USE OR MISUSE OF THIS DEVICE.



Product of Leo Park, LLC

This product is subject to patent pending and trademark protection.

**MADE IN THE USA**